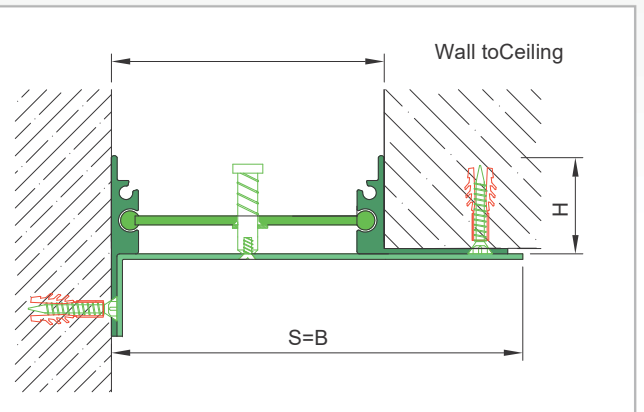
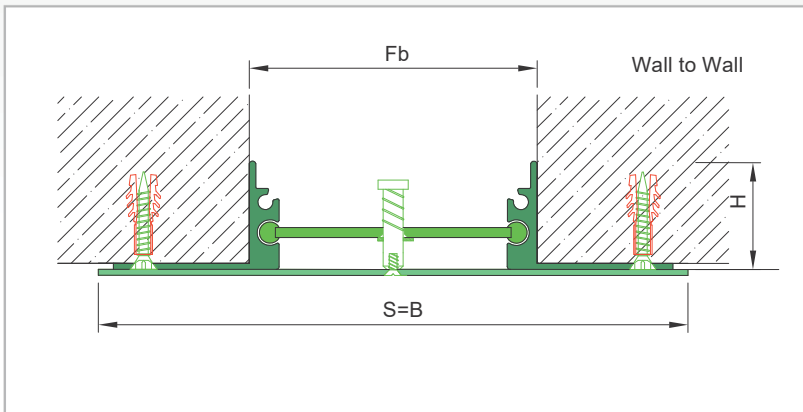
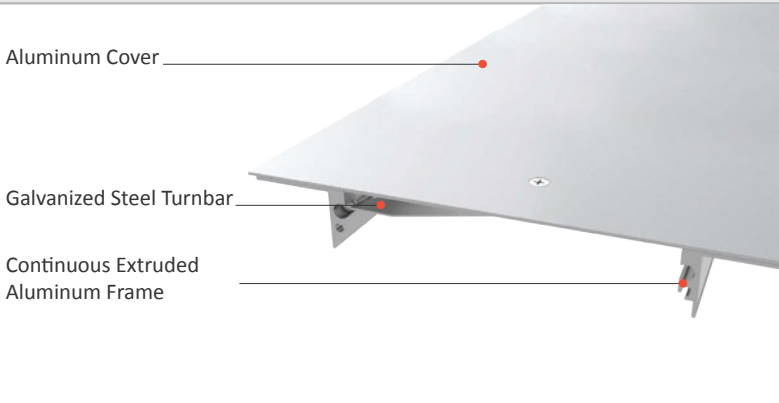




AS U181 surface mounted seismic profile provides multi-directional movements at joint widths up to 200 mm. During the seismic activity, pursuant to ground motion, centering bar expands and narrows down the profile with a high movement ability. Cover plate can be made of aluminum, galvanized or stainless steel at different thicknesses depending on the finish inquired. It can be applied with floor profile AS U281 as a matching model.

- Application Areas** : Indoor & Outdoor / Floor
- Ideal for** : Airports, Shopping Malls, Residences, Hospitals, Hotels, Public & Commercial Buildings etc.
- Material** : Anodized Aluminum Cover ( Galvanized or Stainless Steel Optional), Mill Finish Aluminum Frame
- Aluminum Alloy** : 6063 AA-USA / EN AW 6063
- Optional Supplies** : Fire Barrier, Waterproof EPDM membrane

**SEISMIC**

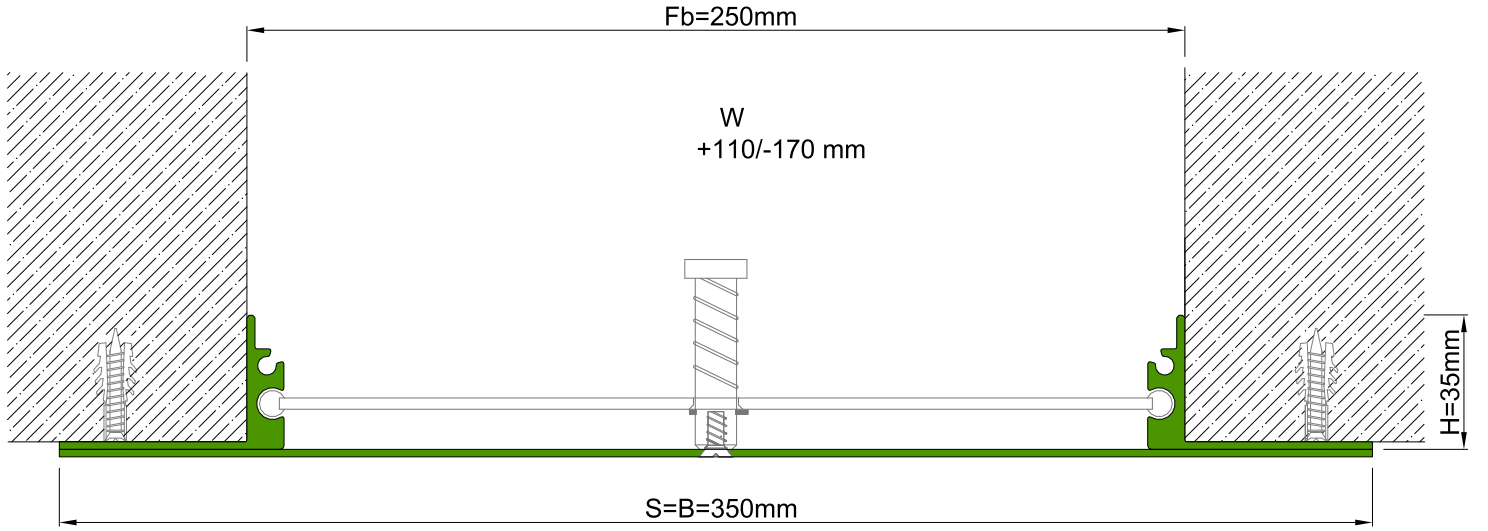
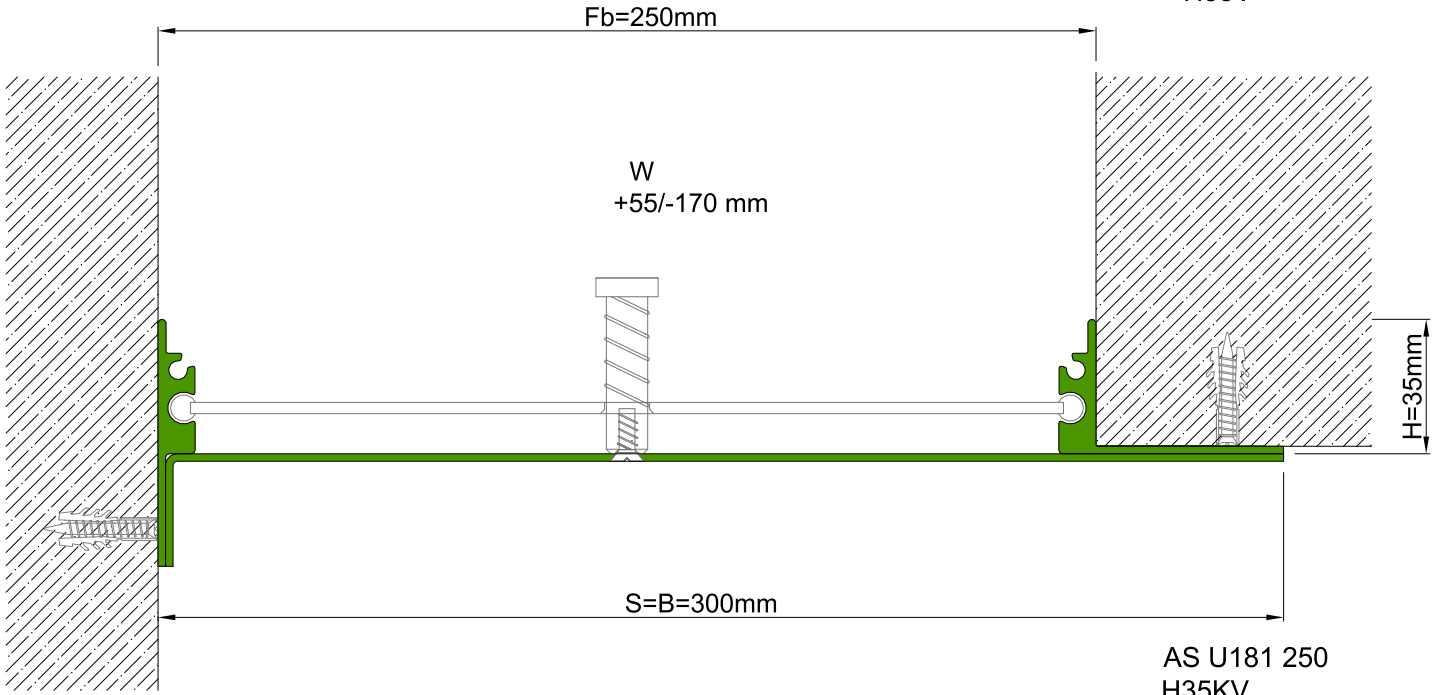


\* Visuals are representative and the profile configuration may differ depending on the characteristics requested.

LOCATION	MODEL	GAP (Fb) mm	HEIGHT (H) MM	OVERALL WIDTH (B) mm	VISIBLE WIDTH (S) mm	MOVEMENT (W) mm	LOAD CAPACITY	STANDARD LENGTH (mt)
Wall to Wall	AS U181-100	100	35	200	200	+35 / -60	N/A	3
	AS U181-150	150	35	250	250	+55 / -95	N/A	3
	AS U181-200	200	35	300	300	+70 / -130	N/A	3
	AS U181-250	250	35	350	350	+110 / -170	N/A	3
	AS U181-300	300	35	400	400	+110 / -205	N/A	3

Note: Please ask for different sizes




 AS U181 250  
 H35V

 AS U181 250  
 H35KV

Profil No Profile Number	AS U181 250	AS U181 250 K
Fb (mm)	250	250
H (mm) yaklaşık approx.	35	35
W± (mm) yaklaşık approx.	+110/-170	+55/-170
Renk Color	Alüminyum Kapak: Eloksallı , Alüminyum Bağlantı Parçası: Natürel Aluminum Cover: Anodized , Aluminum Frame: Natural	
Malzeme Material	Alüminyum Aluminum	
Standart Uzunluk Standard Length	3	